

Classic Cake Chiller

www.createrefrigeration.com

Create
REFRIGERATION



Safety

Stable product performance, safer food preservation



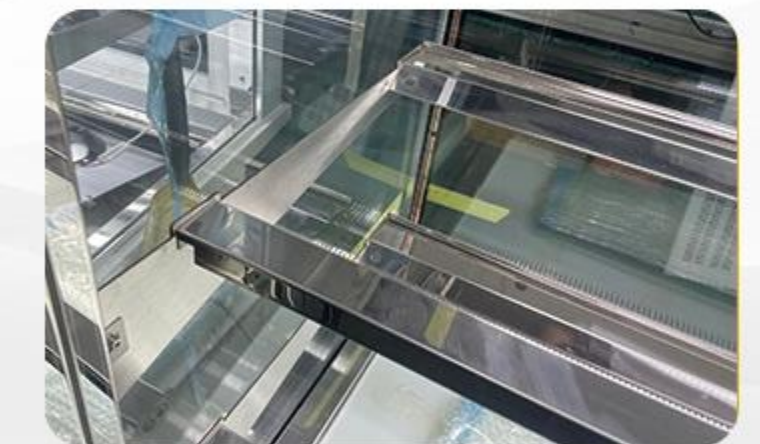
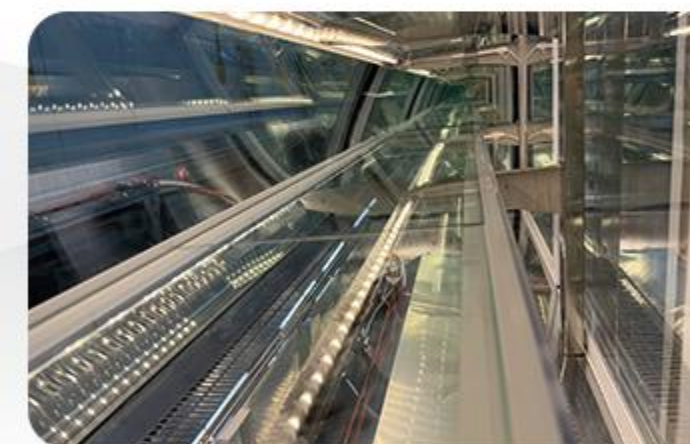
Energy Friendly

From design to production, Create is committed to the application of environmentally friendly refrigerants and new energy-saving materials in products, pursuing high efficiency and energy conservation, and leading a green lifestyle.



Environmental Friendly

Advocate green technology and commit to the path of sustainable development; Apply the concept of green environmental protection to design, materials, energy efficiency, and engineering.



AVAILABLE COLOURS

RAL9005; GN150A; GL180A; GY070A;
MW201T; GL205A; RAL9003; RAL9010

ENHANCED
ENERGY EFFICIENCY
VERSATILITY



MAIN PARAMETERS

Light: LED
Compressor: Donper
Thermostat: Angel
Refrigeration Method: Air cooling
Defrost Method: Automatic
Refrigerant: R404a/R290
Glass: Double-layer tempered insulating glass, rear-opening front glass,
three-layer electric heating wire atomization

CUSTOMIZABLE ITEMS

- Can make as heating cabinet, temperature 30~70°C
- Optional marble base
- Optional stainless steel material
- Customizable product color, plug and voltage frequency

FEATURES

- LED light in cabinet, no blind spots in the space, and outstanding product display effect.
- The cabinet is easy to clean and hygienic. Powder-coated galvanized sheet exterior surface makes the cabinet beautiful and elegant.
- Adjustable shelves, make better use of the space inside the cabinet to meet the placement needs of different products.
- Four side transparent glass, transparent display effect good
- Suitable for storing fruit drinks, cream cakes, etc.

Model

AC400	900*670*1190
AC600	1200*670*1190
AC800	1500*670*1190
AC1000	1800*670*1190

Size

Volume

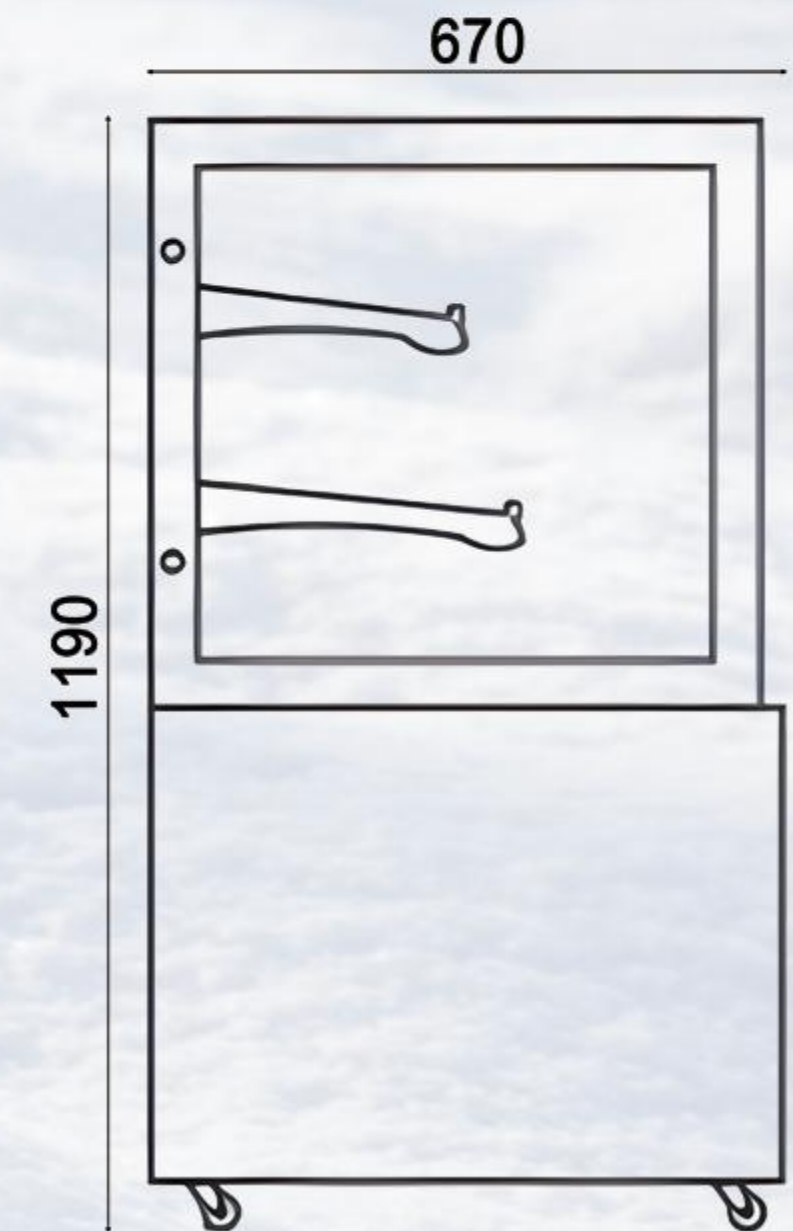
270L/360L/450L/540L

Temperature

0~8°C

Voltage/Frequency

220V/50HZ; 110V/60HZ; 220V/60HZ



Additional Information

All Dimensions shown in Millimetres (mm) unless otherwise stated. Dimensions and features are subject to change. Please obtain current technical information prior to order confirmation.

NOTE: We reserve the right to change or revise specifications and product design in connection with any feature of our products. Such changes do not entitle the buyer to corresponding changes, improvements, additions or replacements for equipment previously sold or Shipped.

PHONE: +86 17661771729
MAIL: create29@createrefrigeration.com

Create
REFRIGERATION

<https://www.createrefrigeration.com/>
Xingfu Industrial Park, Binzhou City, Shandong Province, China