

Overhead Combined Island Freezer

www.createrefrigeration.com



Safety

Stable product performance, safer food preservation



Energy Friendly

From design to production, Create is committed to the application of environmentally friendly refrigerants and new energy-saving materials in products, pursuing high efficiency and energy conservation, and leading a green lifestyle.



Environmental Friendly

Advocate green technology and commit to the path of sustainable development; Apply the concept of green environmental protection to design, materials, energy efficiency, and engineering.



AVAILABLE COLOURS

RAL9005; GN150A; GL180A; GY070A;
MW201T; GL205A; RAL9003; RAL9010

**ENHANCED
ENERGY EFFICIENCY
VERSATILITY**



MAIN PARAMETERS

Light: LED/6500K 24V

Compressor: Secop

Thermostat: Elitech/Dixell/Hkreco

Refrigeration Method: Air cooling+Static cooling

Defrost Method: Automatic

Fan: EBM

Refrigerant: R404a/R290

CUSTOMIZABLE ITEMS

- The lower cabinet can be equipped with an optional variable frequency compressor unit
- Various styles of lower cabinets are available
- The upper cabinet has the option of refrigerated or frozen
- Customizable product color, plug and voltage frequency

FEATURES

- Large volume small handle design, increase the visual area, improve the product display effect
- Frameless all-through glass door, electric heating non-frost
- Box using integral foaming technology, heat preservation performance is good, effective lock cold, reduce energy consumption
- With a support, load-bearing stability, below the box can bear arbitrarily collocated, maximize the use of space
- The whole machine adopts the brand compressor, energy saving and noise reduction, long service life, cooling no dead angle, even cooling capacity

Model

ZMG-1.4H (2 door)

ZMG-2.1H (3 door)

ZMG-2.5H (4 door)

Size

1450*920*2250

2100*920*2250

2500*920*2250

Volume

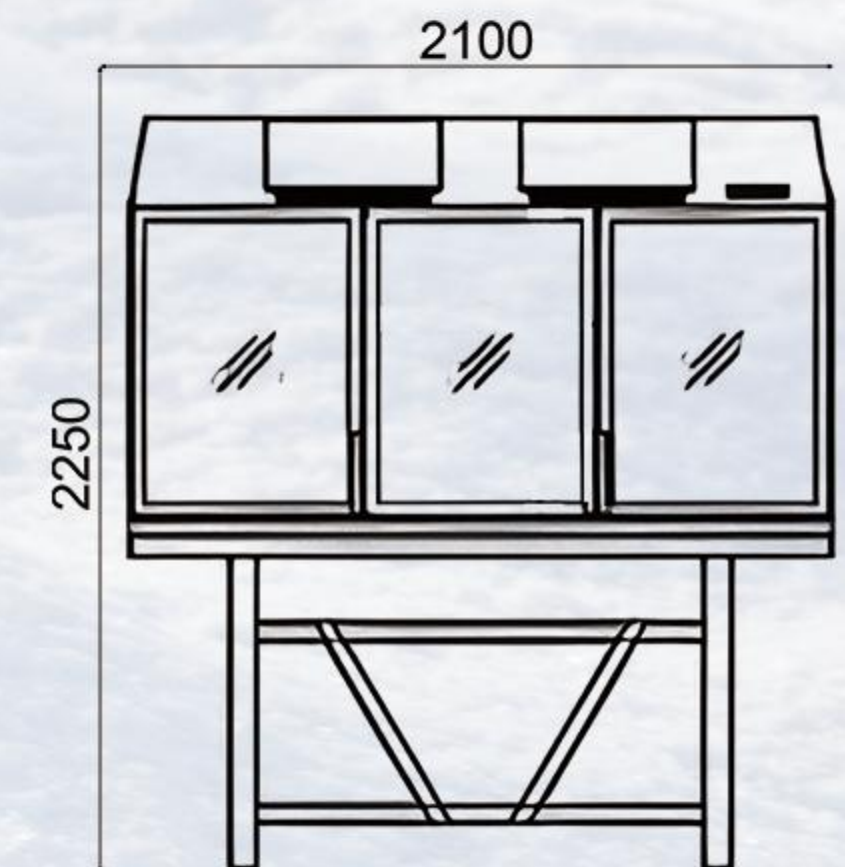
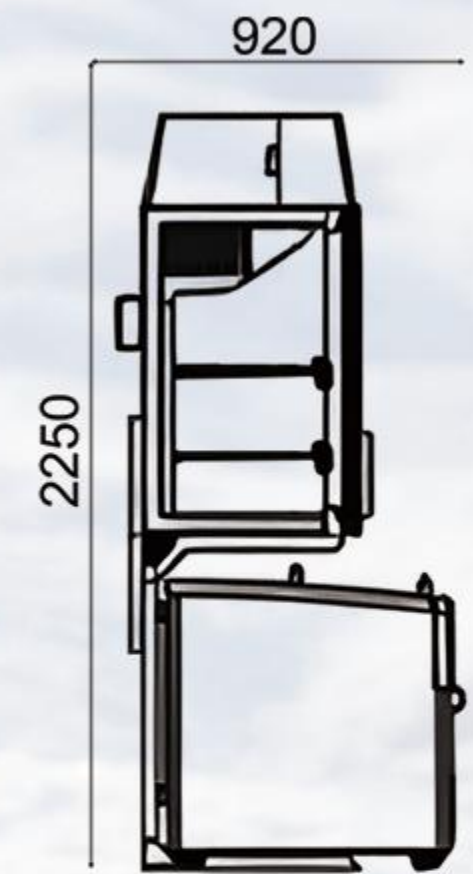
970L/1090L/1350L

Temperature

0~8°C/-18~-22°C

Voltage/Frequency

220V/50HZ; 110V/60HZ; 220V/60HZ



Additional Information

All Dimensions shown in Millimetres (mm) unless otherwise stated. Dimensions and features are subject to change. Please obtain current technical information prior to order confirmation.

NOTE: We reserve the right to change or revise specifications and product design in connection with any feature of our products. Such changes do not entitle the buyer to corresponding changes, improvements, additions or replacements for equipment previously sold or Shipped.

PHONE: +86 17661771729

MAIL: create29@createrefrigeration.com

Create
REFRIGERATION

<https://www.createrefrigeration.com/>
Xingfu Industrial Park, Binzhou City, Shandong Province, China